

# BESSEY® Product Training



## BESSEY® Tools North America Metalworking: Angle Clamps

# Metalworking: Angle Clamps

## WSM-9 & WSM-12

- ❑ Base and blocks are high grade cast iron and are galvanized
- ❑ Spindle with Acme thread and copper plated
- ❑ Swivel mounted spindle for joining different sized pieces
- ❑ Slotted base for mounting
- ❑ Unobstructed work area for freer access
- ❑ For 90 degree corner & “T” joints
  - WSM-9 has a 7” capacity for both sides
  - 3-1/2” for miter joints
- ❑ WSM-12 has a 9.5” capacity for both sides
  - 4-3/4” for miter joints



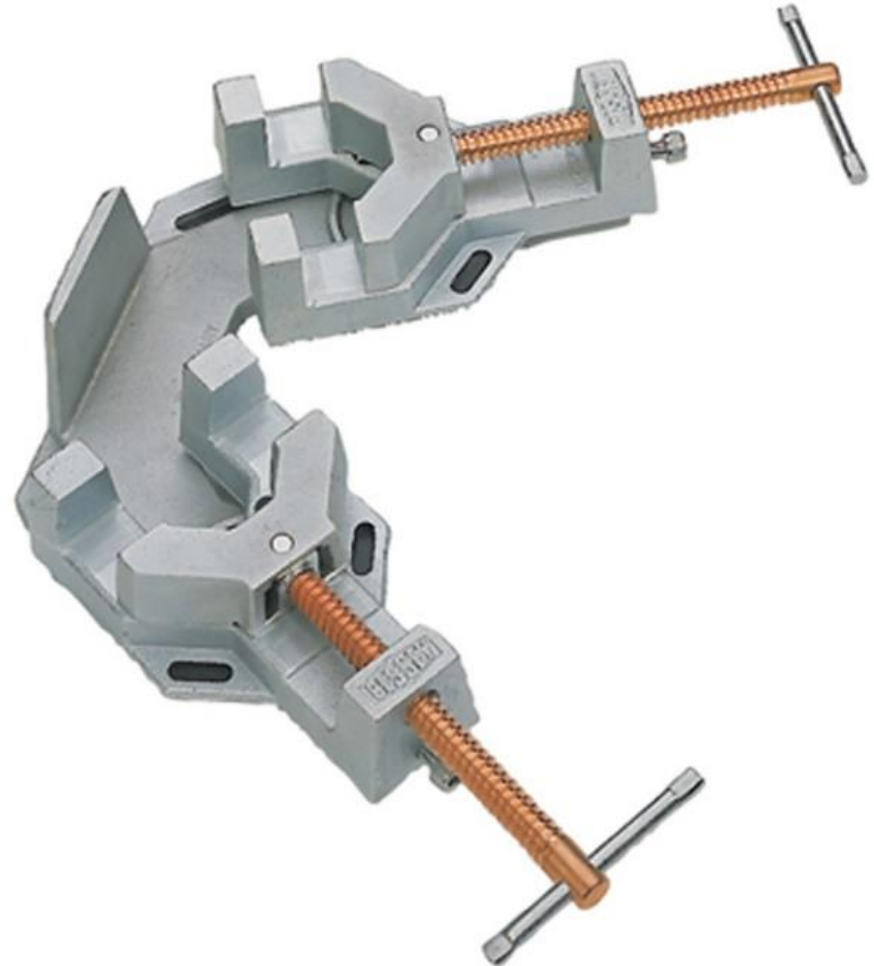
# Metalworking: Angle Clamps



Simply better.

## WVS-4 Welder's Multi-Angle Vise Set

- ❑ Dual vises swivel independently
- ❑ Create any angle from 5 to 180 degrees
- ❑ Set screws can lock vises in place to maintain an angle for repeat work
- ❑ Slotted cast iron base can be mounted to work table
- ❑ When not being used for the assembly of irregular angles; each vise can be used independently as a machine vise on a drill press or milling machine
- ❑ Vises hold items up to 4 inches wide



# Metalworking: Angle Clamps



# Metalworking: Angle Clamps



Simply better.





Simply better.

# Thank you for your attention!

BESSEY® Tools North America